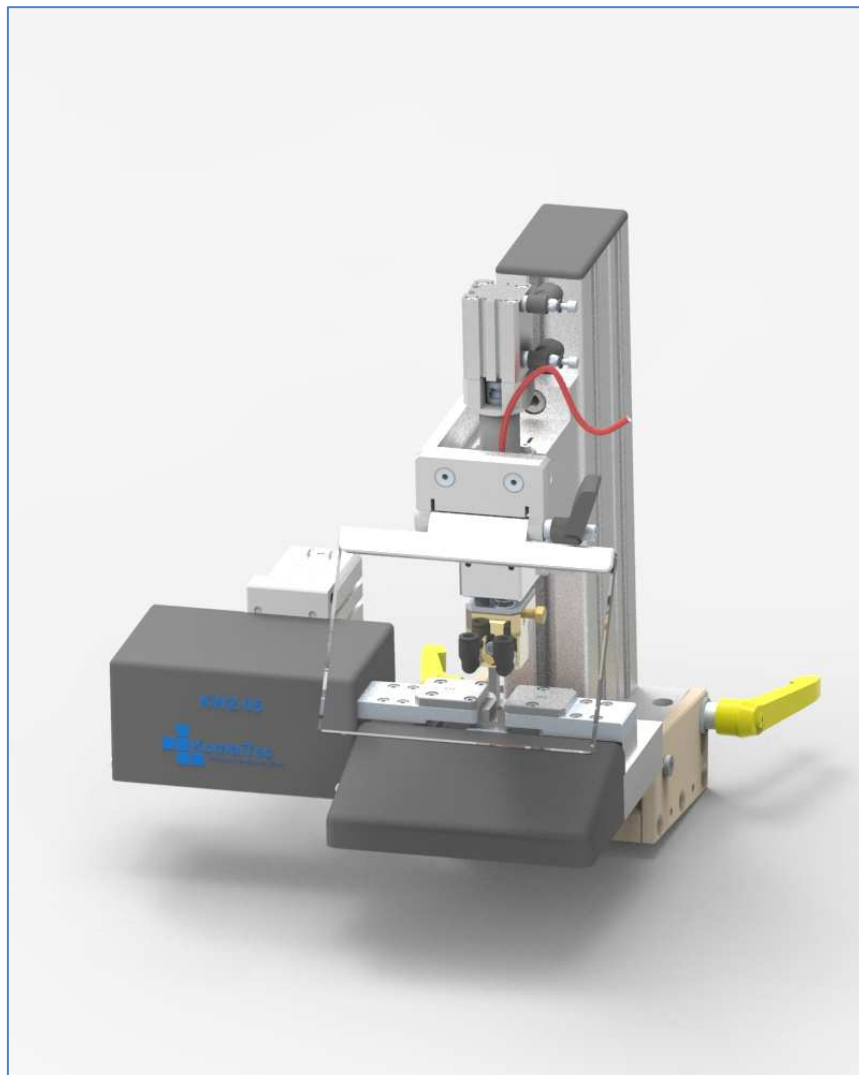


# Technical data sheet for Compactingtool KWZ-05

Manufacture:

**KombiTec GmbH**  
An der Römerstr. 1  
D-87488 Betzigau  
**Germany**

Tel: +49 (0) 831 / 960 398 - 0  
Fax: +49 (0) 831 / 960 398 - 10



### Benefits:

- Compact, flexible construction
- Precise positioning-accuracy, stability and robustness due to pre-stressed ballbearings
- Highest reproducibility of given shape- and dimensions
- Highest stiffness through shape-connection
- Simple adjusting of sensors and stroke
- Simple upgrading opportunities of distance-control and force measuring devices
- Life-time optimized due water-cooled basic electrode holder

### Application areas:

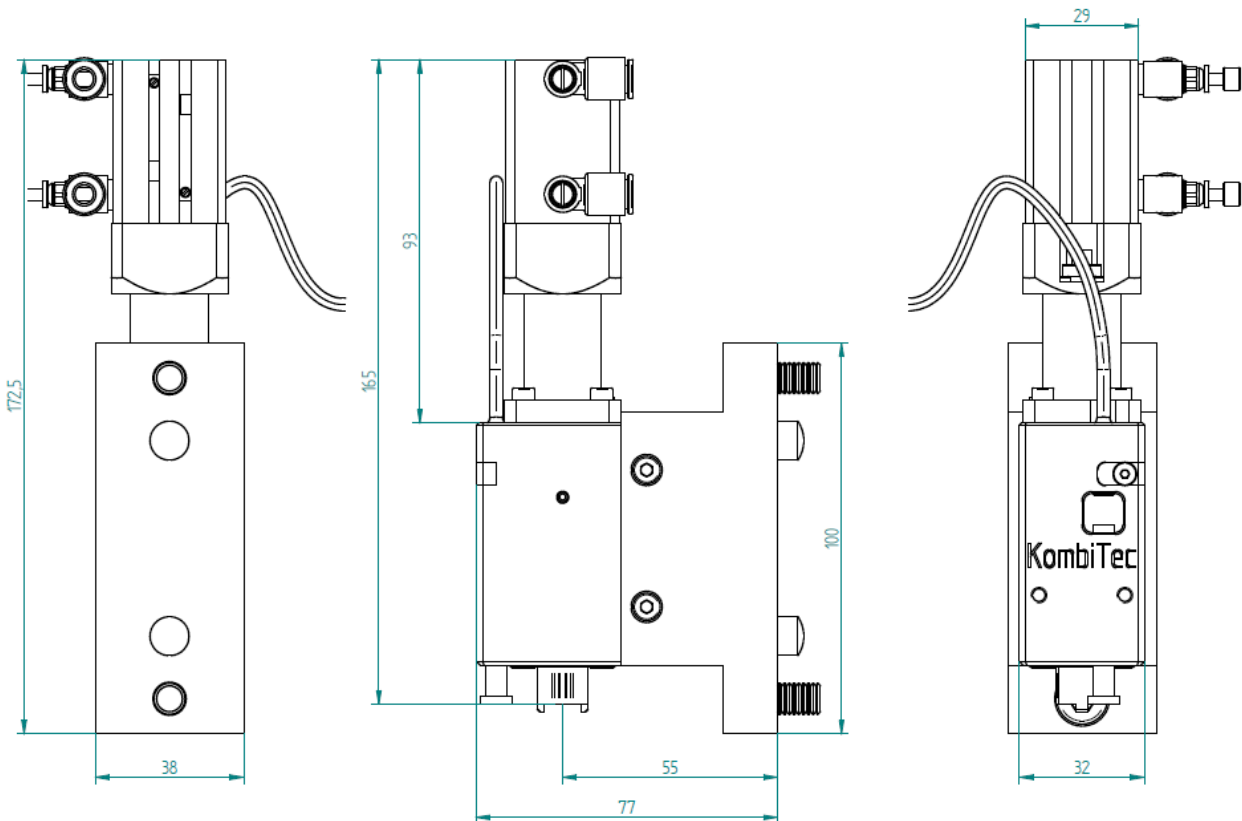
- Stranded wires between 0,08 mm<sup>2</sup> - 0,75 mm<sup>2</sup>
- Precise compacting of multi-wires
- Maximum compacting length ca. 5,5 mm

### Technical changes:

Technical modification and price changes without notices. All dimensions are in „mm“. No liability can be accepted for printing errors.

### Technical data:

Diameter of the in feed unit:	Ø 16 mm
Theoretical force:	ca. 100 N (out driving at 5 bar)
Medium pressed air:	filtered 5 µm, oiled or unoiled
Pneumatic fittings:	M5 / Ø 6 mm
Working pressure:	3 – 6 bar
Working temperature:	0°C – 60°C
Repeatability:	ca. ± 0,05 mm
Max. weight of electrode holders:	< 1,0 kg
Max. stroke:	20 mm
Air consumption per cycle:	0,16 l/min (at 5 bar and max. stroke)
Total weight:	ca. 7,5 kg



## Compactingtool KWZ-05

Option of configuration:

